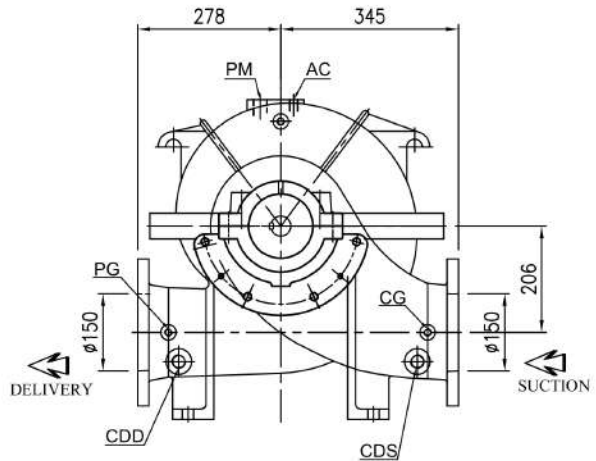
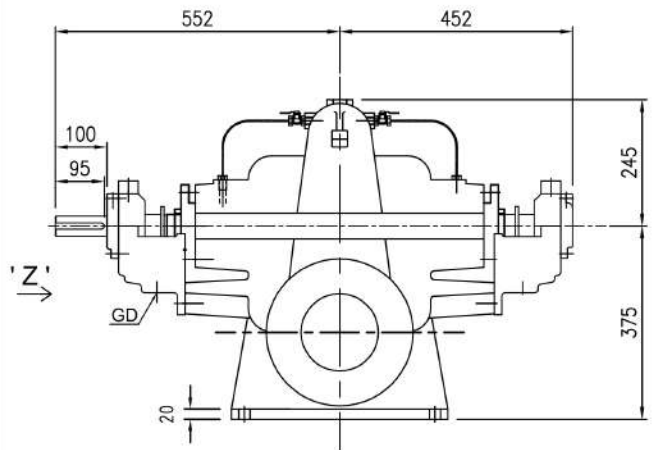
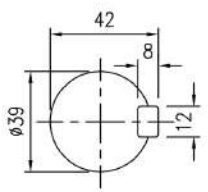


PUMP MODEL - 6HF10

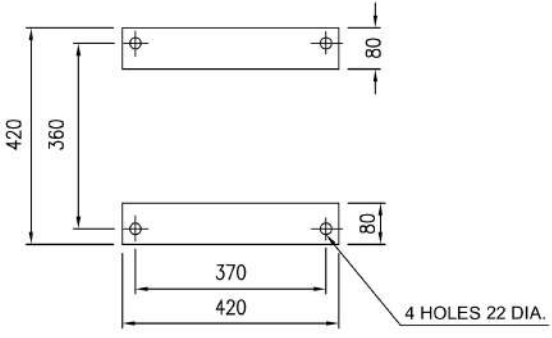
GENERAL ARRANGEMENT DRAWING FOR SINGLE STAGE AXIALLY SPLIT CASE PUMP MODEL - 6HF10



CLOCK-WISE ROTATION
LOOKING FROM DRIVE END



SCALE - 5:1
SHAFT DETAIL AT
COUPLING END



PLAN OF PUMP FEET

APPROX. NET WEIGHT - 334kg.
ALL DIMENSIONS ARE IN MM.

CONNECTION		
ITEM	DESCRIPTION	SIZE(NPT)
GD	GLAND DRAIN	1/2"
CG	COMPOUND GAUGE FOR SUCTION	3/8"
PG	PRESSURE GAUGE FOR DELIVERY	3/8"
AC	AIR COCK	3/8"
PM	PRIMING	3/4"
CDS	CASING DRAIN(SUCTION SIDE)	3/4"
CDD	CASING DRAIN(DELIVERY SIDE)	3/4"

** GAUGE CONNECTIONS DRILLED AND TAPPED ONLY
WHEN SPECIFICALLY REQUESTED BY THE CUSTOMER.

S	ANSI 125#FF	11"	9-1/2"	1"	8, 7/8"															
D	ANSI 250#FF									12-1/2"	11-5/8"	7-1/16"	12, 7/8"							
REF. NO.	TYPE OF FLANGE.	O.D.	P.C.D.	THK MIN	NO SIZE OF HOLE	RF 7/8"	RF 7/8"	THK R.F. FLANGE	O.D.	P.C.D.	THK MIN	NO SIZE OF HOLE	RF 7/8"	RF 7/8"	THK R.F. FLANGE					
		SUCTION ~ 150 (6")					DELIVERY ~ 150 (6")													

REV	DESCRIPTION	DRN	CHKD	APPD
-----	-------------	-----	------	------

FISHER PUMP				
TITLE				
GA DRAWING FOR 6HF10 (CW)				SCALE
				1:1
DRN	AD	11.08.16	DRG. NO.	REV
CHKD	ST	11.08.16	6HF10/GA-01/0	
APPD	HS	11.08.16	0	