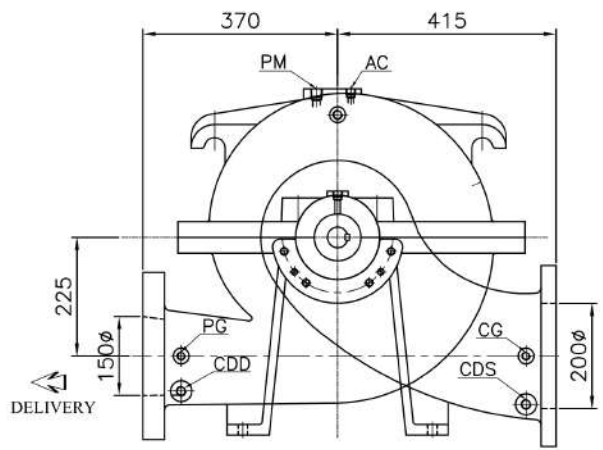
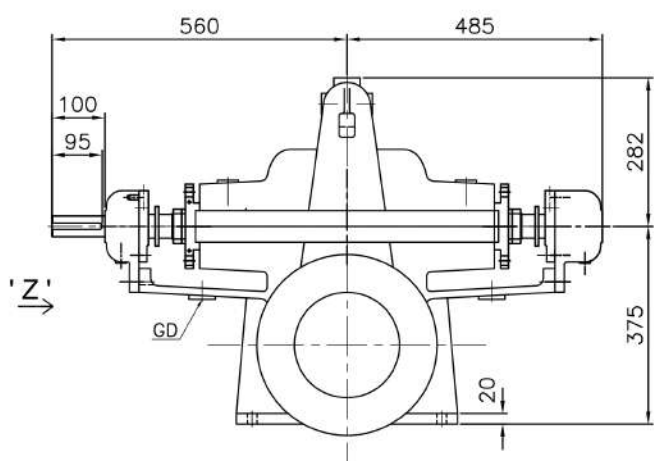
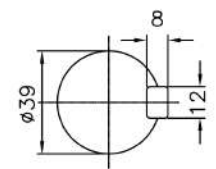


PUMP MODEL - 6HF14K

GENERAL ARRANGEMENT DRAWING FOR SINGLE STAGE AXIALLY SPLIT CASE PUMP MODEL - 6HF14K

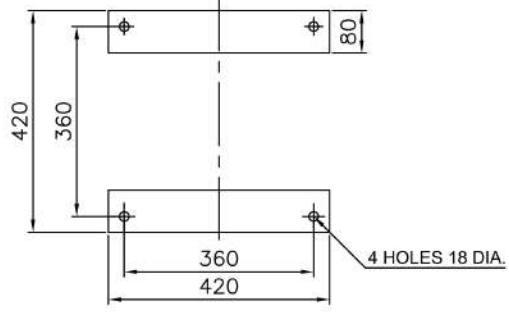


CLOCK-WISE ROTATION
LOOKING FROM DRIVE END



SCALE - 5:1
SHAFT DETAIL AT
COUPLING END

VIEW IN DIRECTION OF ' Z '



PLAN OF PUMP FEET

APPROX. NET WEIGHT - 407kg.
ALL DIMENSIONS ARE IN MM.

FISHER PUMP

CONNECTIONS		
ITEM	DESCRIPTION	SIZE(NPT)
GD	GLAND DRAIN	1/2"
CG	COMPOUND GAUGE FOR SUCTION	3/8"
PG	PRESSURE GAUGE FOR DELIVERY	3/8"
AC	AIR COCK	3/8"
PM	PRIMING	1/2"
CDS	CASING DRAIN(SUCTION SIDE)	1/2"
CDD	CASING DRAIN(DELIVERY SIDE)	1/2"

REF. NO.	TYPE OF FLANGE.	O.D.	P.C.D.	THK MIN	NO OF HOLE	SIZE OF HOLE	RF R.F.	RF THK FLANGE	O.D.	P.C.D.	THK MIN	NO OF HOLE	SIZE OF HOLE	RF R.F.	RF THK FLANGE
S	ANSI 125# FF	13-1/2"	11-3/4"	1-1/8"	8	Ø 7/8"	--	--							
D	ANSI 250# FF								12-1/2"	10-5/8"	1-7/16"	12	Ø 7/8"	--	--
									SUCTION ~ 200Ø (8")						
									DELIVERY ~ 150Ø (6")						

REV	DESCRIPTION	DRN	CHKD	DATE

TITLE:		
GA DRAWING FOR 6HF14K		
DRN AD 05.08.17	DRG. NO.	
CHKD ST 05.08.17	PSF/6HF14K/GA-01	
APPD HS 05.08.17		SCALE
		1:1
		REV
		0