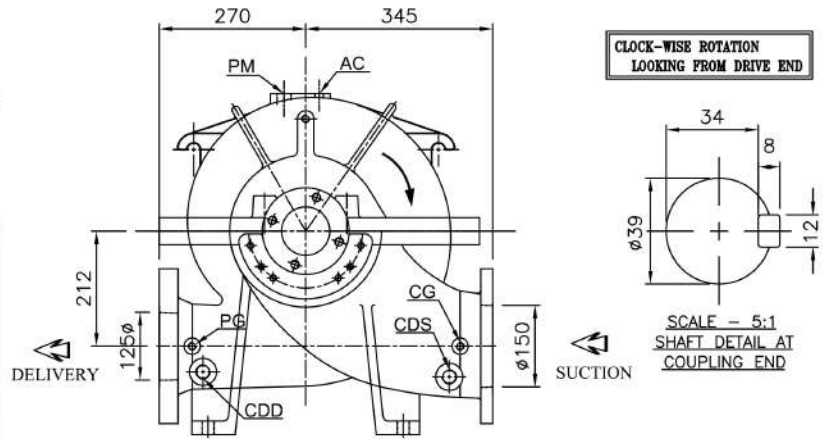
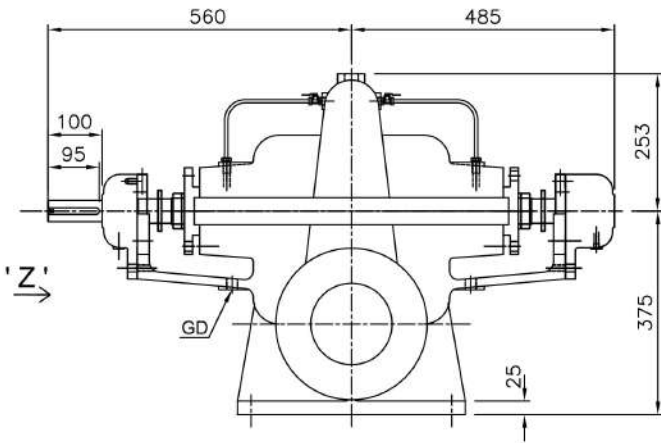
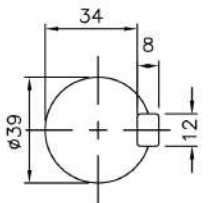


PUMP MODEL- 5HF11

GENERAL ARRANGEMENT DRAWING FOR SINGLE STAGE AXIALLY SPLIT CASE PUMP MODEL - 5HF11

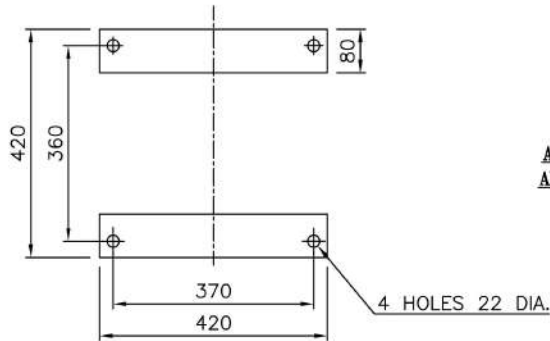


CLOCK-WISE ROTATION
LOOKING FROM DRIVE END



SCALE - 5:1
SHAFT DETAIL AT
COUPLING END

VIEW IN DIRECTION OF 'Z'



APPROX. NET WEIGHT -353Kg.
ALL DIMENSIONS ARE IN MM.

CONNECTIONS		
ITEM	DESCRIPTION	SIZE(NPT)
GD	GLAND DRAIN	3/4"
CG	COMPOUND GAUGE FOR SUCTION	3/8"
PG	PRESSURE GAUGE FOR DELIVERY	3/8"
AC	AIR COCK	3/8"
PM	PRIMING	3/4"
CDS	CASING DRAIN(SUCTION SIDE)	3/4"
CDD	CASING DRAIN(DELIVERY SIDE)	3/4"

REF. NO.	TYPE OF FLANGE.	O.D.	P.C.D.	THK MIN	NO OF HOLES	SIZE OF HOLE	RF R.F.	THK FLANGE	O.D.	P.C.D.	THK MIN	NO OF HOLES	SIZE OF HOLE	RF R.F.	THK FLANGE	
S	ANSI 125# FF	11"	9-1/2"	1"	8	7/8"	--	--								
D	ANSI 250# FF								11"	9-1/4"	1-3/8"	8	7/8"	--	--	
		SUCTION~ 150ø (6")				DELIVERY~ 125ø (5")										

FISHER PUMP					SCALE	
TITLE:- GA DRG. FOR 5HF11					1:1	
REV	DESCRIPTION	DRN	CHKD	DATE	DRG. NO.	REV
					PSF/5HF11/GA-01	0