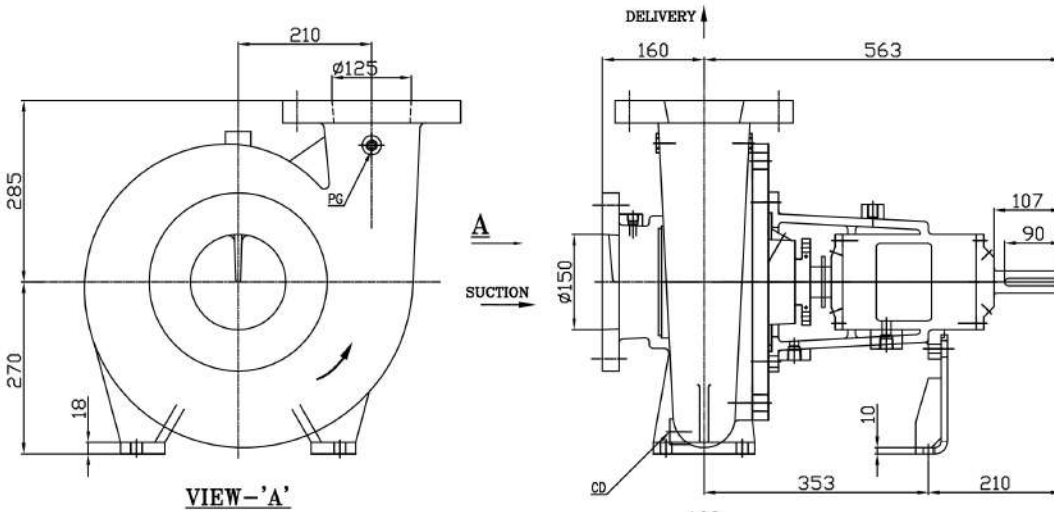
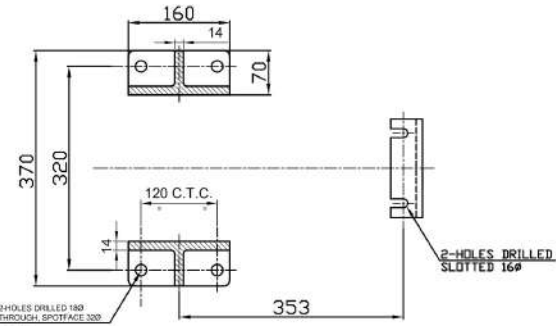
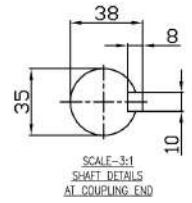


GENERAL ARRANGEMENT DRAWING FOR END SUCTION BACK PULL OUT TYPE PUMP EF 125-310



CLOCK WISE ROTATION  
LOOKING FROM DRIVE END



PUMP WEIGHT 180Kg(Approx)  
ALL DIMENSIONS ARE IN MM.

CONNECTIONS		
ITEM	DESCRIPTION	SIZE(NPT)
PG/CG	PRESSURE GAUGE FOR DELIVERY	3/8"
AC	AIR COCK	3/8"
CD	CASING DRAIN	1/2"

\* GAUGE CONNECTIONS DRILLED AND TAPPED ONLY  
WELL STOCK ONLY, REFERENCE TO 2-D DRAWING

- NOTES:
1. AN ARROW MARK WILL BE ON THE CASING TO INDICATE DIRECTION OF ROTATION.
  2. COMPOUND GAUGE, DISCHARGE GAUGE, CIRCULATION RELIEF VALVE (FOR MOTOR ONLY) WILL BE SUPPLIED WITH UL LISTED PUMP

FOOT PRINT

S	ANSI#125FF	11"	9-1/2"	1"	8, #7/8"	—	—	—	—	—	—	—	—	—	—	—	—	—			
D	ANSI#250FF																				
REF. NO.	TYPE OF FLANGE	O.D.	P.C.D.	THK MIN	NO. OF HOLES	SIZE OF HOLE	RF OF FLANGE	THK	RF	NO. OF HOLES	SIZE OF HOLE	RF OF FLANGE	THK	RF	NO. OF HOLES	SIZE OF HOLE	RF OF FLANGE	THK	RF		
		SUCTION - 150						DELIVERY - 125													

THIS DRAWING MUST BE OPENED WITHOUT WRITING PERMISSION AND THE COMPANY'S PROPERTY MUST NOT BE LOANED TO A THIRD PARTY NOR BE USED FOR ANY UNAUTHORIZED PURPOSES. CONVICTION WILL BE PROSECUTED.

TRAY HOLE PROJECTION

REV.	NO.	REVISION	DATE	BY	CHK.	APP.

**FISHER PUMP**

GA DRAWING FOR EF 125-310

DRW. NO.	REV. NO.	SCALE	DRAWING NO.	EDITION/NO. NO.