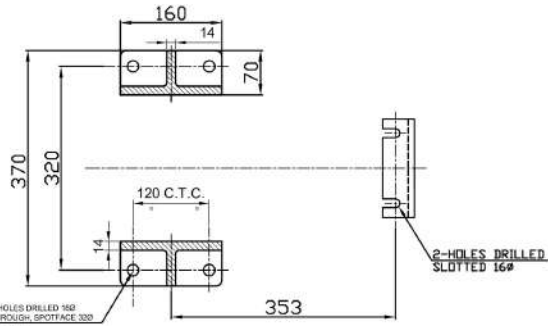
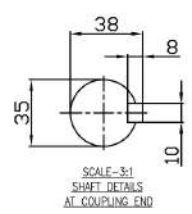
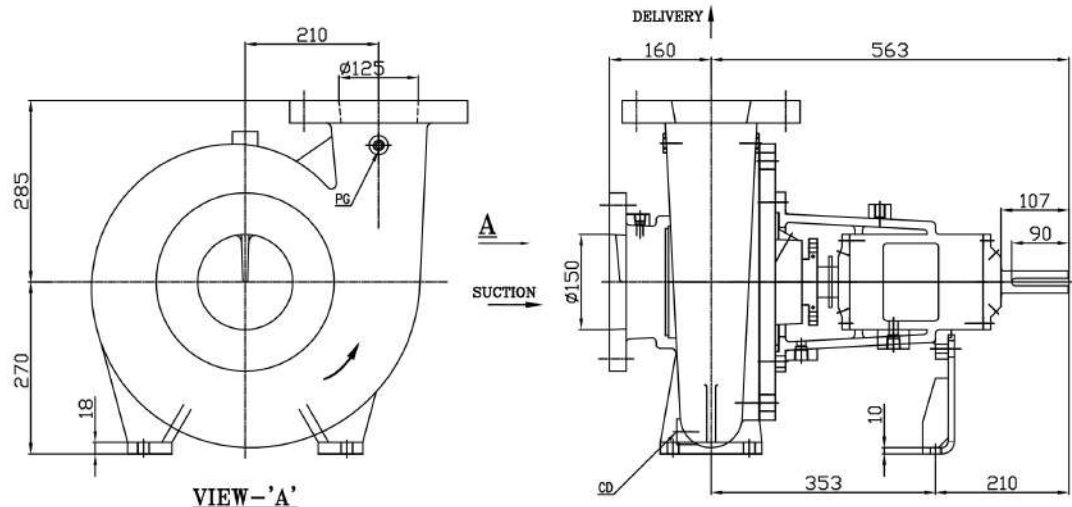


GENERAL ARRANGEMENT DRAWING FOR END SUCTION BACK PULL OUT TYPE PUMP EF 125-310

CLOCK WISE ROTATION
LOOKING FROM DRIVE END



PUMP WEIGHT 190Kg(Approx)
ALL DIMENSIONS ARE IN MM.

CONNECTIONS		
ITEM	DESCRIPTION	SIZE(NP ³)
PG/CG	PRESSURE GAUGE FOR DELIVERY	3/8"
AC	AIR COCK	3/8"
CD	CASING DRAIN	1/2"

- NOTES:
1. AN ARROW MARK WILL BE ON THE CASING TO INDICATE DIRECTION OF ROTATION.
 2. COMPOUND GAUGE, DISCHARGE GAUGE, CIRCULATION RELIEF VALVE (FOR MOTOR ONLY) WILL BE SUPPLIED WITH UL LISTED PUMP.

FOOT PRINT

S	ANSI#125FF	11"	9-1/2"	1"	8, #7/8"	—	—	—	—	—	—	—	—	—	—	—	—	—	—		
D	ANSI#250FF					11"	9-1/4"	1-3/8"	8, #7/8"	—	—	—	—	—	—	—	—	—	—		
REF. NO.	TYPE OF FLANGE	O.D.	P.C.D.	THK MIN	NO. SIZE OF HOLE	RF THK OF FLANGE	O.D.	P.C.D.	THK MIN	NO. SIZE OF HOLE	RF THK OF FLANGE										
		SUCTION - #150						DELIVERY - #125													

THIS DRAWING MUST NOT BE COPIED WITHOUT WRITTEN PERMISSION AND THE ORIGINAL THEREOF MUST NOT BE REFERRED TO A THIRD PARTY NOR BE USED FOR ANY UNAUTHORIZED PURPOSES. CONSTRUCTION WILL BE PROSECUTED.

FIRST ANGLE PROJECTION

FISHER PUMP

GA DRAWING FOR EF 125-310

DATE	2013.01	SCALE	1:1	DESIGNER NO.	10000107	ENGINEER NO.	
DRAWN BY		CHECKED BY		DATE	2013.01	SCALE	1:1