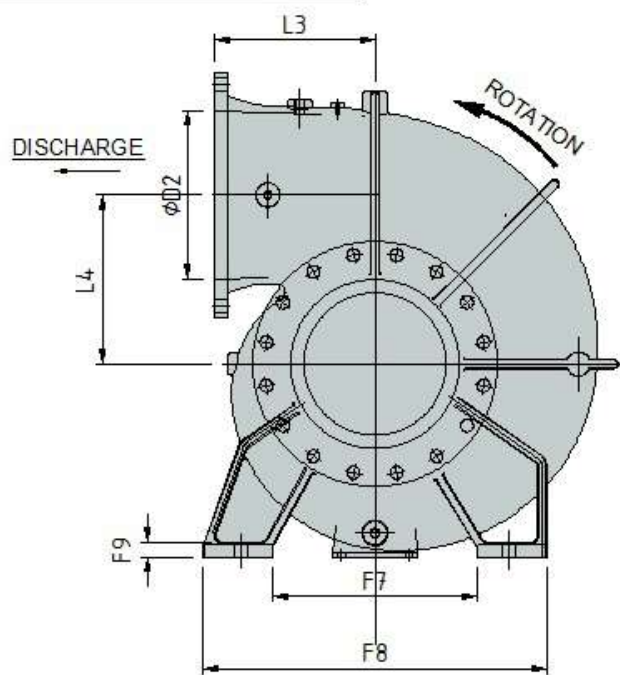
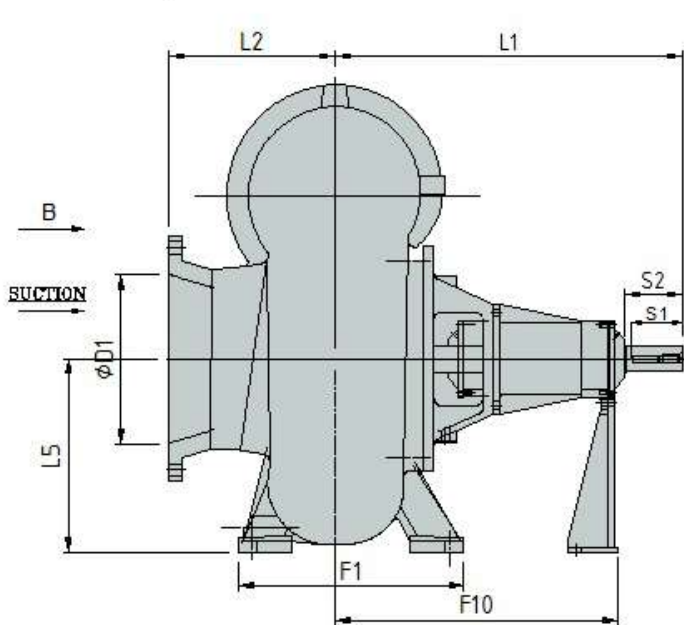
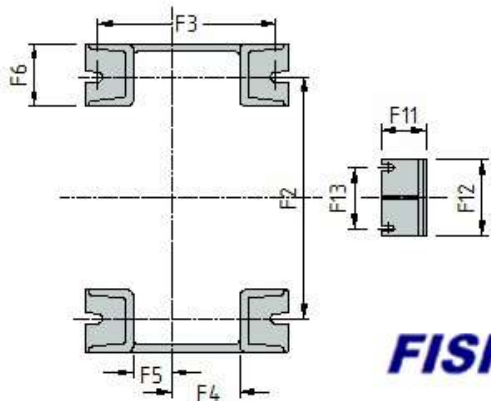


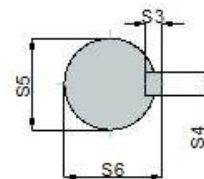
GENERAL ARRANGEMENT DRAWING FOR END SUCTION MIXED FLOW PUMP



VIEW IN DIRECTION OF ARROW 'B'



MOUNTING DETAILS



SHAFT DETAILS AT COUPLING END

FISHER PUMP