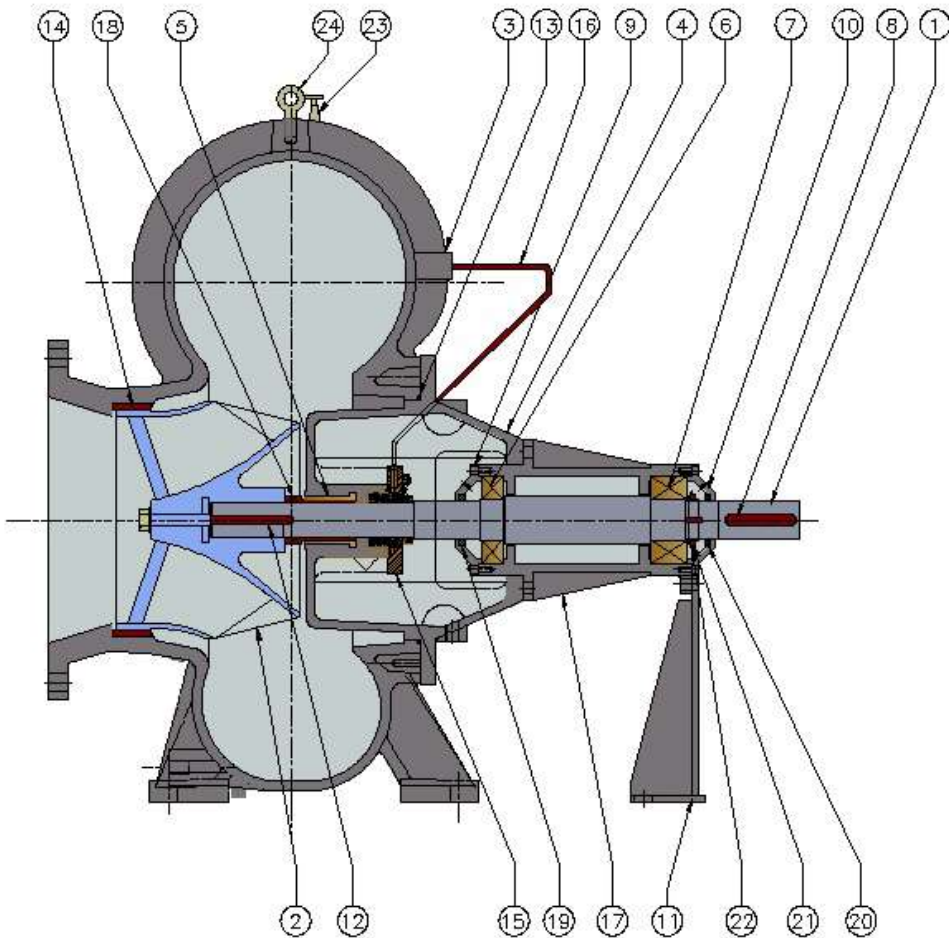


CROSS-SECTIONAL DRAWING FOR SINGLE STAGE END SUCTION MIXED FLOW PUMP WITH SINGLE ENTRY IMPELLERS WITH CARTRIDGE MECHANICAL SEAL

FISHER PUMP



SL.	DESCRIPTION	QTY.	PART NO.
1	SHAFT	1	153
2	IMPELLER	1	102
3	CASING	1	103
4	BACK COVER	1	212
5	BEARING BUSH	1	308
6	CYLINDRICAL ROLLER BRG.(INNER)SKF NU 3XX	1	214
7	DOUBLE ROW ANGULAR CONTACT BALL BRG. (OUTER)SKF 33XX	1	215
8	COUPLING KEY	1	138
9	BEARING END COVER (F.E.)	1	133
10	BEARING END COVER (P.E.)	1	134
11	SUPPORT FOOT	1	217
12	IMPELLER KEY	1	137
13	'O' RING FOR BACK COVER	1	219
14	CASING WEAR RING	1	220
15	CARTRIDGE MECHANICAL SEAL	1	151
16	WATER SEALING PIPE	1	118
17	BEARING BRACKET	1	213
18	EXTENDED IMPELLER NUT	1	302
19	OIL SEAL FOR INNER COVER	1	223
20	OIL SEAL FOR OUTER COVER	1	224
21	BEARING LOCK NUT(KM XX)	1	141
22	BEARING LOCK WASHER (MB XX)	1	142
23	AIR COCK	1	114
24	EYE BOLT	1	-

* P.E.- POWER END , F.E -FREE END.